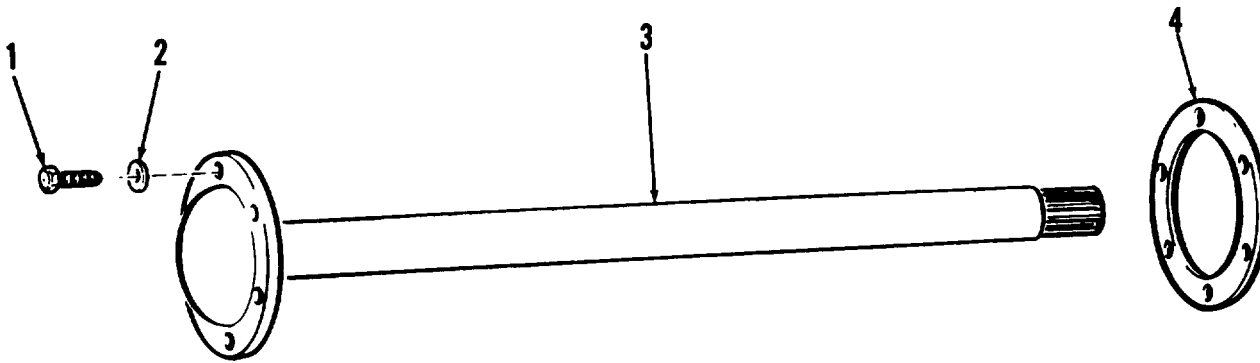


Current part is item (3) on diagram. Available at www.oshkoshequipment.com

(1) SMR Code	(2) Federal Stock Number	(3) DESCRIPTION	(4) Unit	(5) Qty	(6) 30-day DS maint	(7) 30-day GS maint	(8) 1-yr	(9) Depot	(10) Illustration						
			of meas	inc. in Unit	allowance	allowance	alw	maint		per equip	100	(a) Figure	(b) Item No.		
Reference Number & Mfr. Code			Usable On Code		(a) 1-20	(b) 21-50	(c) 51-100	(a) 1-20	(b) 21-50	(c) 51-100	gcy				
1100-REAR AXLE ASSEMBLY-CONTINUED															
P-F	2530-734-6953	BRACKET: MOUNTING 7346953 (19207)	A	EA	2	*	*	*	*	*	*	3	5	73	5
P-F	2530-040-2271	BRACKET: ANGLE HYDRAULIC LINE 7409452 (19207)	A	EA	2	*	*	*	*	*	*	3	5	73	6
P-F	2530-734-6954	PLATE: BRACKET MOUNTING 7346954 (19207)	A	EA	2	*	*	*	*	*	*	3	5	73	7
P-F	5310-734-6957	NUT, PLAIN, HEXAGON: BRACKET TO PLATE 7979327 (19207)	A	EA	8	*	*	*	*	*	*	6	10	73	8
P-F		WASHER, LOCK: BRACKET TO PLATE MS35338-113 (96906)	A	EA	8	*	*	*	*	*	*	6	10	73	9
P-F	2530-797-9224	BRACKET, ROD TORQUE: 7979224 (19207)	A	EA	2	*	*	*	*	*	*	3	5	73	10
P-F	5306-752-1631	BOLT, MACHINE: REAR AXLE SHAFT 7532631 (19207)	A	EA	80	*	*	*	*	*	*	40	200	74	1
P-F	5310-584-5272	WASHER, LOCK: REAR AXLE SHAFT MS35338-48 (96906)	A	EA	80	*	*	*	*	*	*	40	200	74	2
P-F	2520-734-6960	SHAFT: REAR AXLE (USE ON ALL MODELS EXCEPT BE, IA, LA, MA) 3202J2610 (78500)	A	EA	4	*	*	*	*	*	*	4	8	74	3
P-F	5306-272-3747	SHAFT: REAR AXLE 7346956 (19207)	IA, BE, LA, MA	EA	4	*	*	*	*	*	*	4	8	74	3
P-F	2530-734-6993	GASKET: DRIVE FLANGE (COMPONENT OF GASKET SET, FSN 2520-734-6806) 22088314 (78500)	A	EA	4	*	*	*	*	*	*	10		74	4
1101-HOUSING, COVERS AND PLUGS															
P-O	5315-752-1651	PIN, SHOULDER, HEADLESS 7521651 (19207)	A	EA	6	*	*	*	*	*	*	6	20	75	1
P-F	5307-208-9245	STUD, PLAIN: HOUSING 7346810 (19207)	A	EA	36	*	*	*	*	*	*	10	40	75	2
P-O	4820-726-4719	VALVE, AIR PRESSURE RELIEF: SIDE COVER 5196397 (19207)	A	EA	2	*	*	*	*	*	*	8	20	75	3
P-O	4730-732-6126	PLUG, MACHINE THREAD: 7326126 (19207)	A	EA	2	*	*	*	*	*	*	8	20	75	4
P-O	5330-839-9066	GASKET: (COMPONENT OF GASKET SET, FSN 2520-734-6806) MS35769-21 (96906)	A	EA	2	*	*	*	*	*	*	10		75	5
P-O	4730-273-7512	PLUG, PIPE, MAGNETIC: HOUSING DRAIN 502398 (78500)	A	EA	21	*	*	*	*	*	*	8	20	75	6
X1		HOUSING AXLE: 8758344 (19207)	A		1									75	7



Current part is item (3) on diagram. Available at www.oshkoshequip.com AT 47213

Figure 74. Rear axle shaft and related parts.

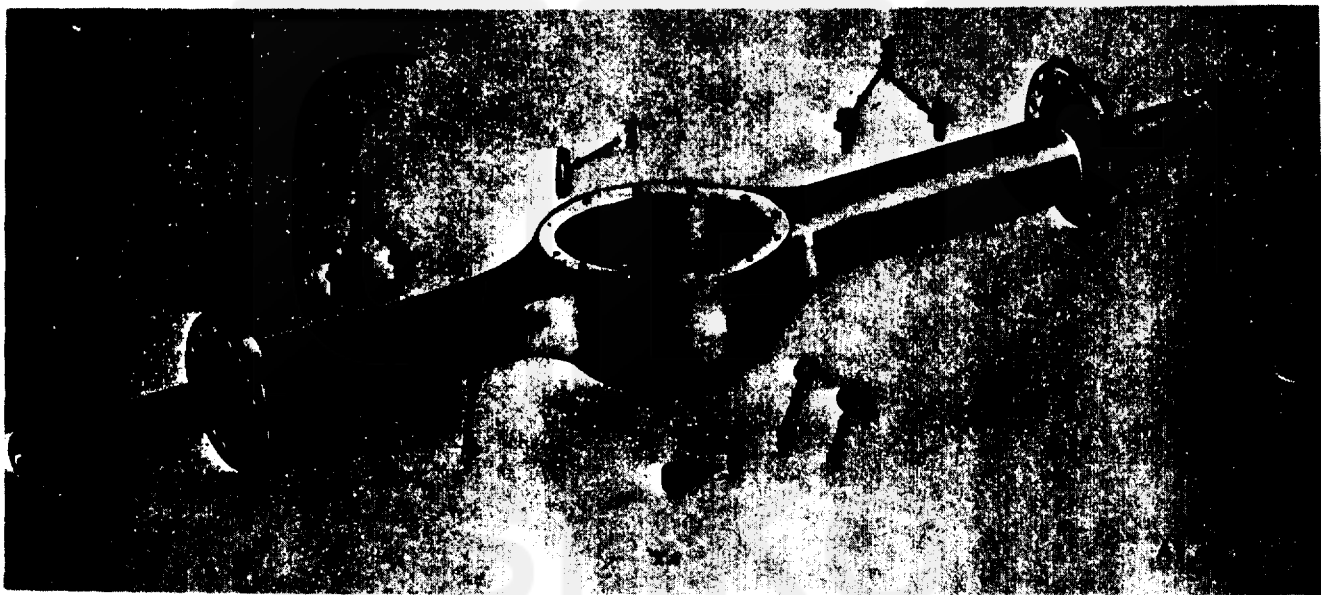


Figure 75. Rear axle housing and related parts.

Current part is item (3) on diagram. Available at www.oshkoshequip.com